

# JVC

## SCHEMATIC DIAGRAMS

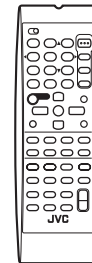
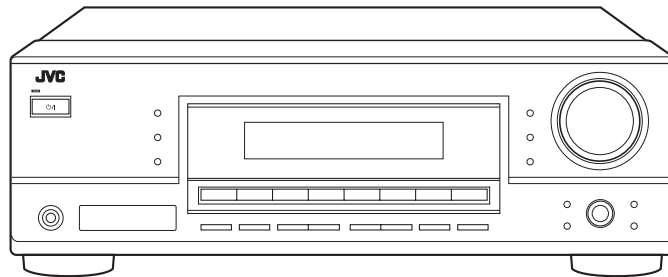
### AUDIO/VIDEO CONTROL RECEIVER

# RX-6042S

CD-ROM No.SML200403

Area suffix

E ----- Continental Europe  
EN ----- Northern Europe  
EV ----- Eastern Europe



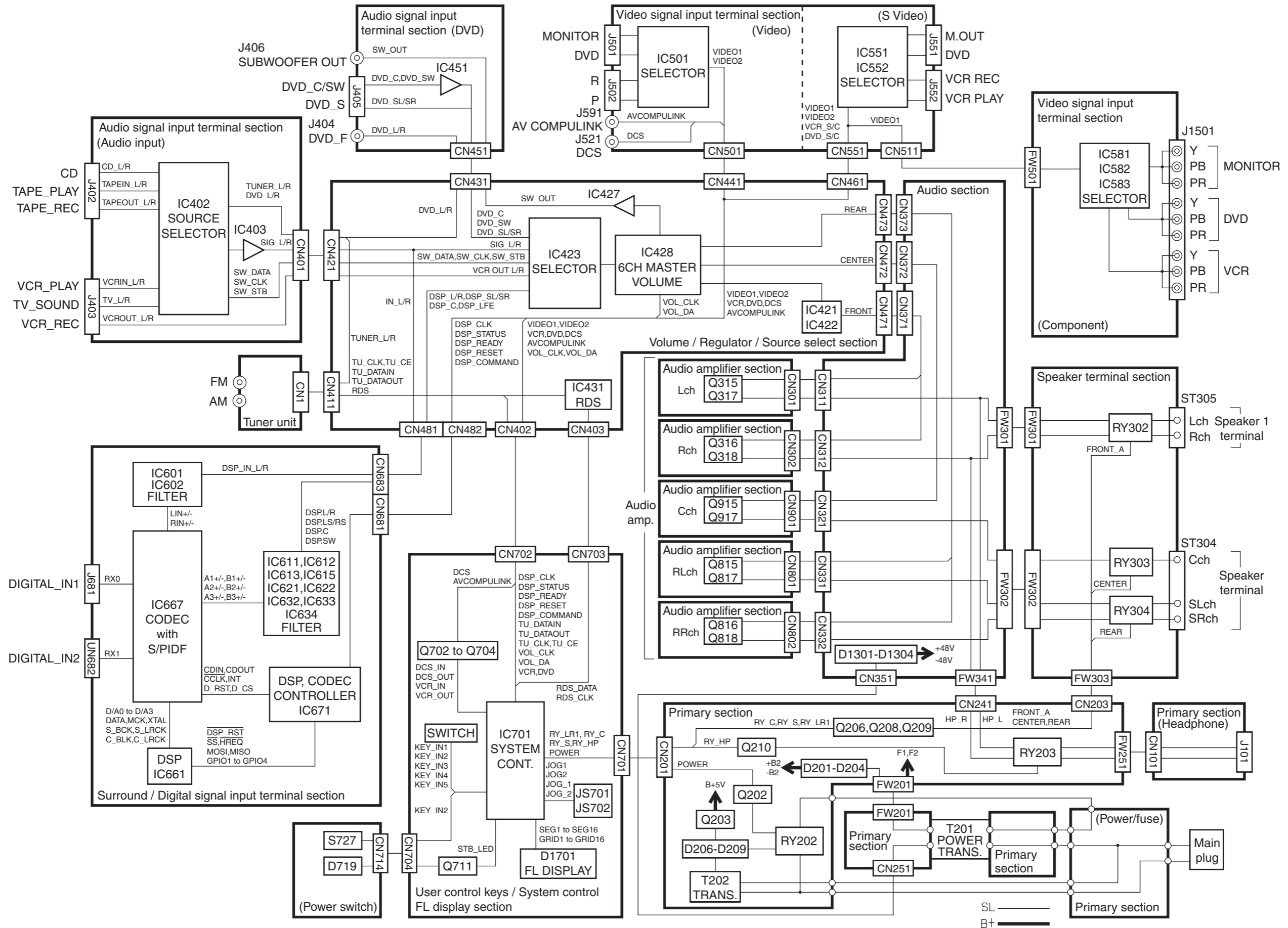
### Contents

Block diagram .....	2-1
Standard schematic diagrams .....	2-2
Printed circuit boards .....	2-10 to 13

In regard with component parts appearing on the silk-screen printed side (parts side) of the PWB diagrams, the parts that are printed over with black such as the resistor (■), diode (⬤) and ICP (●) or identified by the "▲" mark nearby are critical for safety.

(This regulation does not correspond to J and C version.)

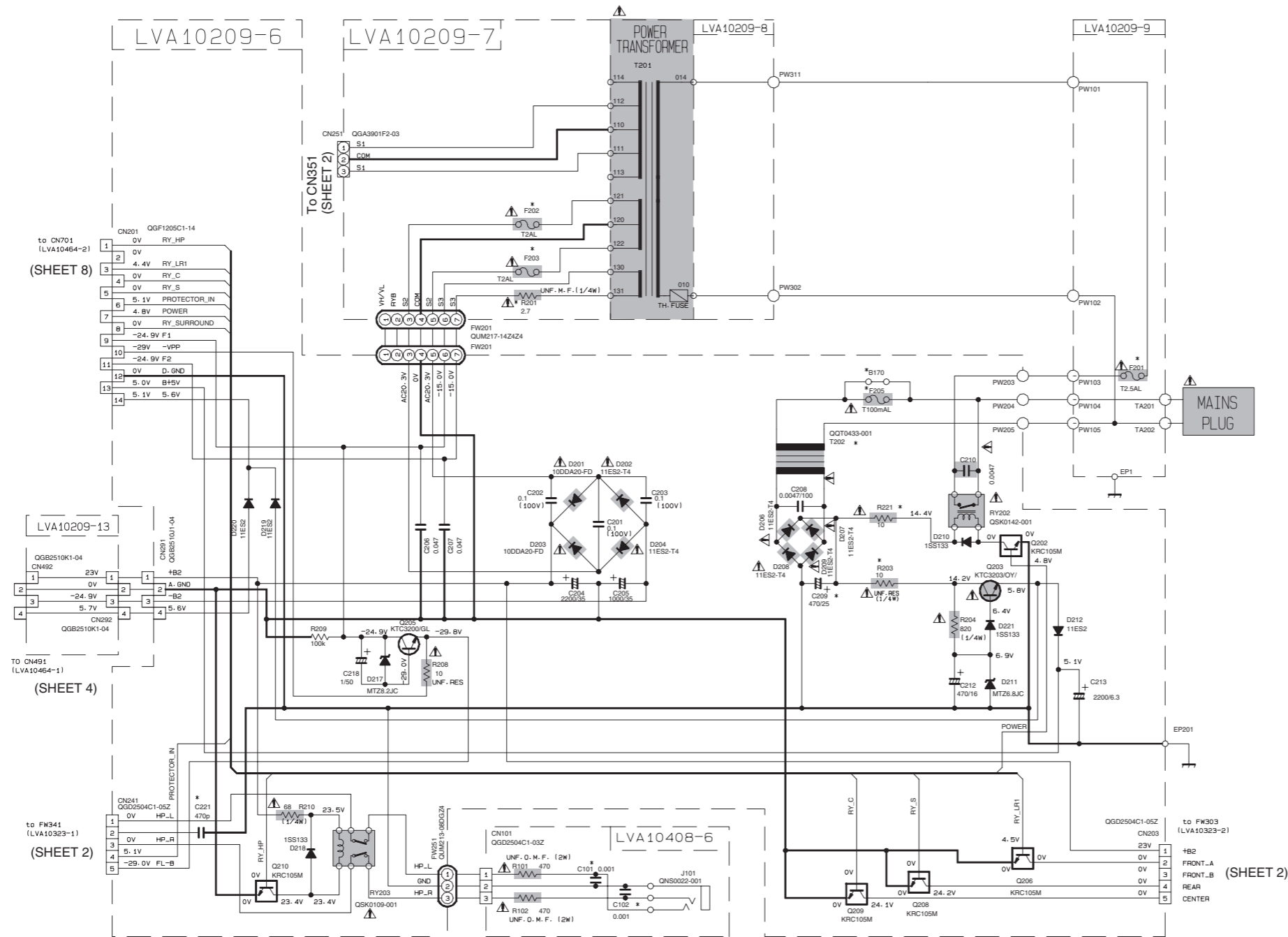
# Block diagram



# Standard schematic diagrams

## Primary section

E/EN/EV



J/C	E/EN/EV/A	US
F201	DFP5142-280-JB (1.5A-250V)	DFP5142-280-JB (1.5A-250V)
F202, F203	DFP5112-280-JB (1.5A-250V)	DFP5142-280-JB (1.5A-250V)
F204	NONE	DFP5142-280-JB (1.5A-250V)
F205	NONE	DFP5142-280-JB (1.5A-250V)
B170	USE	NONE
VS201	NONE	USE

J/C	E/EN/EV	US	A
R1	USE	NONE	NONE
R11-R12	USE	NONE	USE
R201-R202	NONE	USE	USE
R211-R212	USE	NONE	NONE
R203	10	10	3.9
R204	10	10	3.9
R205	470/25	470/25	470/25
R206	2.7	2.7	5.6
R207	330P	0.001	330P
R208	330P	0.001	330P
R209	NONE	USE	NONE

### VERSION CODES

J : U. S. A.  
 C : CANADA  
 E : CONTINENTAL EUROPE  
 EN : NORTHERN EUROPE  
 EV : EASTERN EUROPE  
 US : SINGAPORE  
 A : AUSTRALIA

SHEET NUMBER	CIRCUIT DISCRPTION
1	PRIMARY (J/C/E/EN/EV)
2	AUDIO / SPEAKER TERMINAL
3	AUDIO AMP
4	VOLUME / REGULATOR / SOURCE SELECT IC
5	AUDIO SIGNAL INPUT TERMINAL / SOURCE SELECT IC
6	VIDEO SIGNAL INPUT TERMINAL
7	SURROUND IC / DIGITAL SIGNAL INPUT TERMINAL
8	USER CONTROL KEYS / SYSTEMCONTROL LST / FL DISPLAY

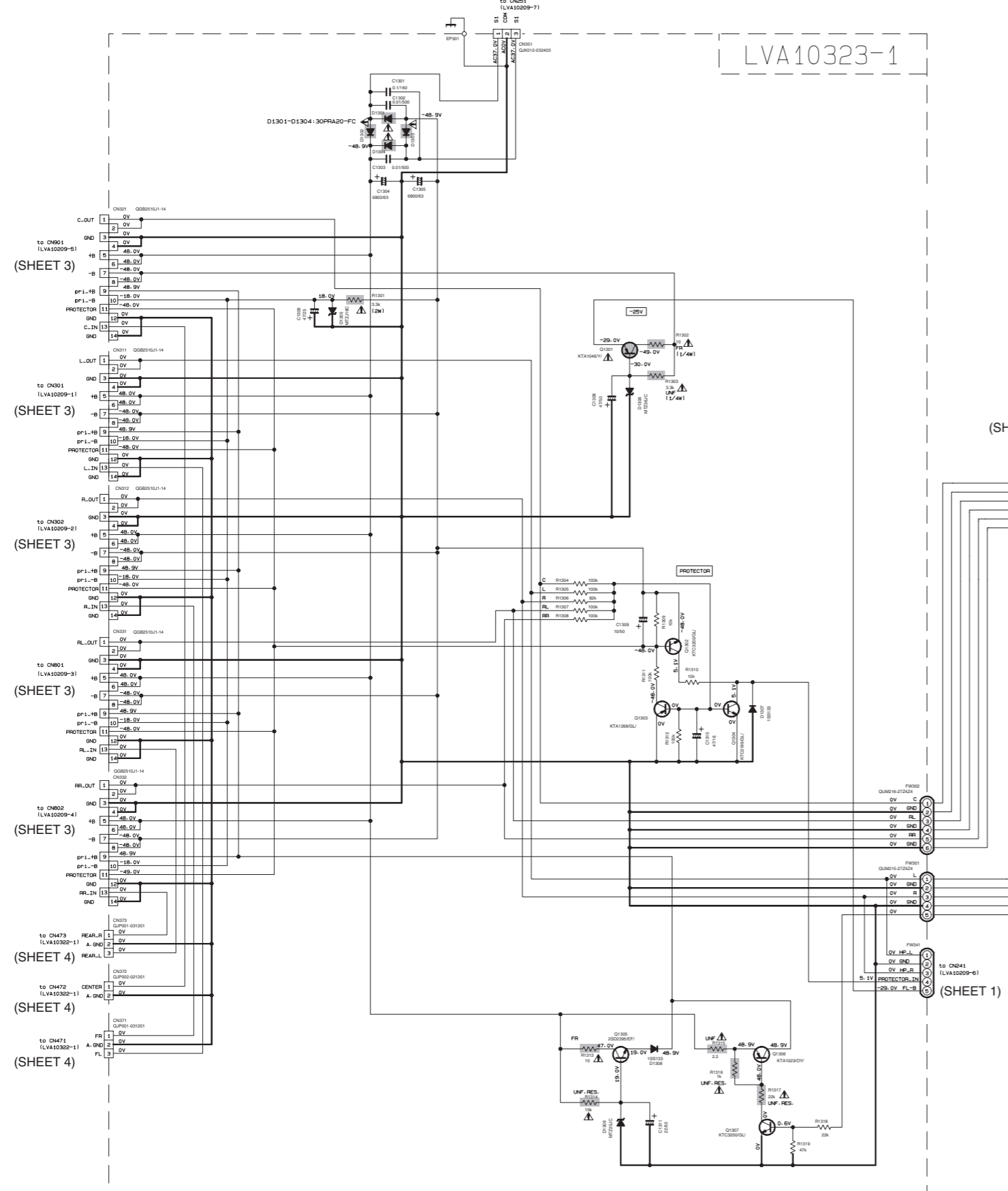
▲ Parts are safety assurance parts. When replacing those parts make sure to use the specified one.

Audio / Speaker terminal section

(SHEET 1)

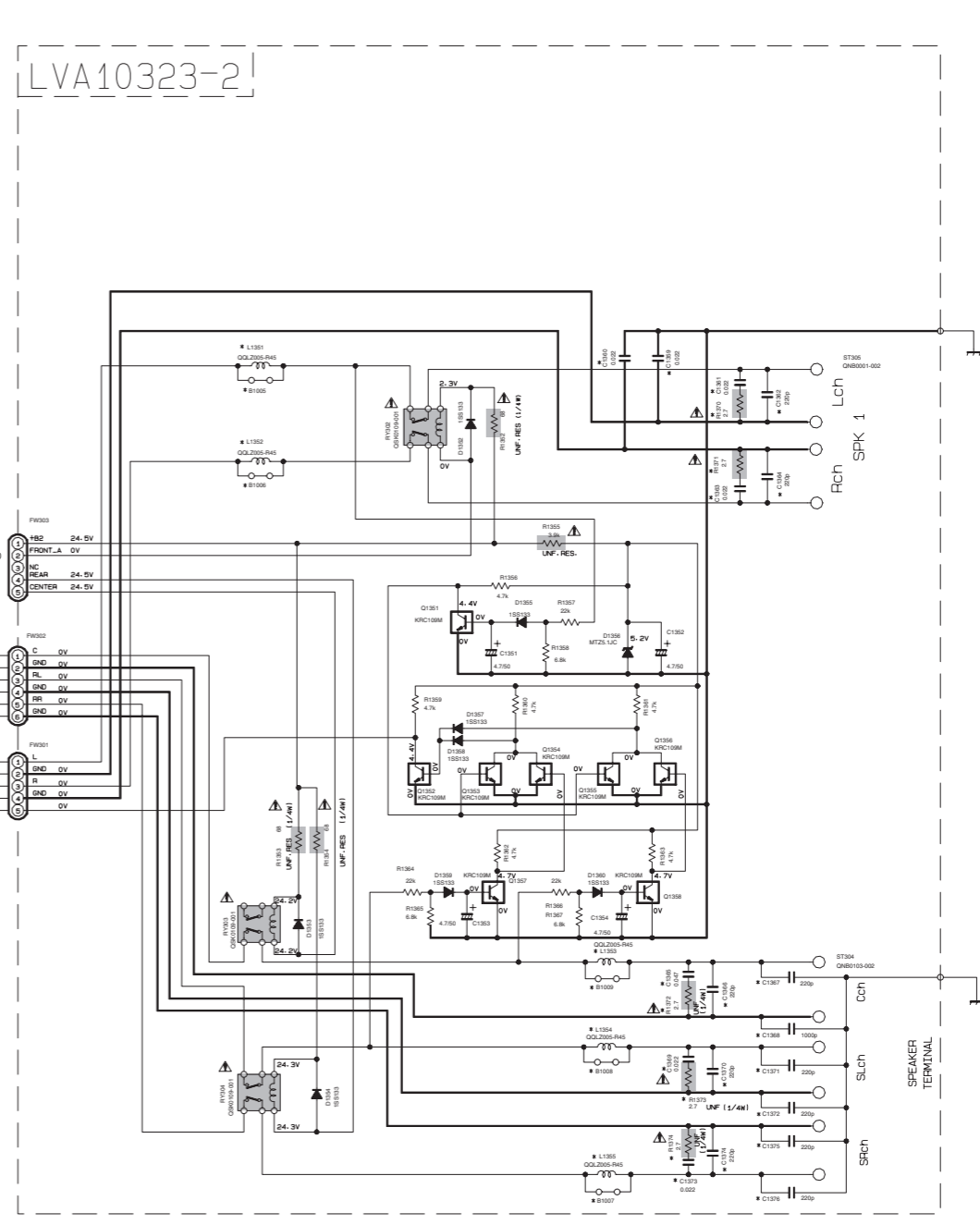
LVA10323-1

LVA10323-2



(SHEET 1)

(SHEET 1)

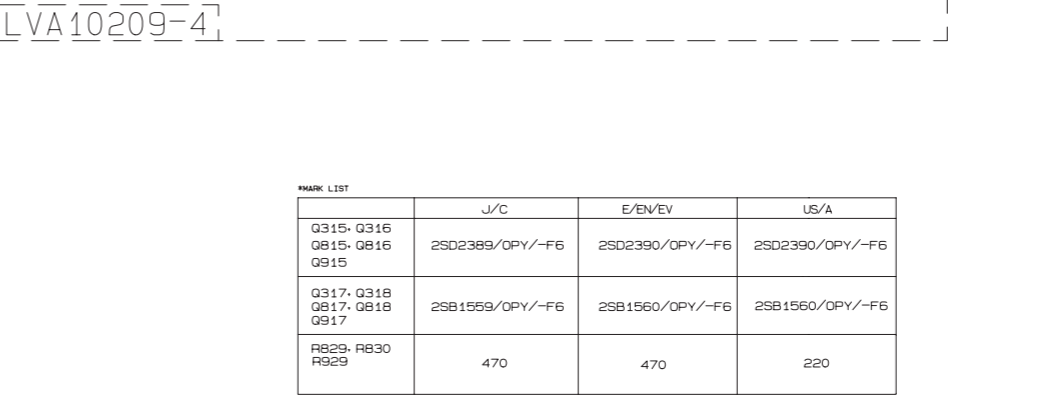
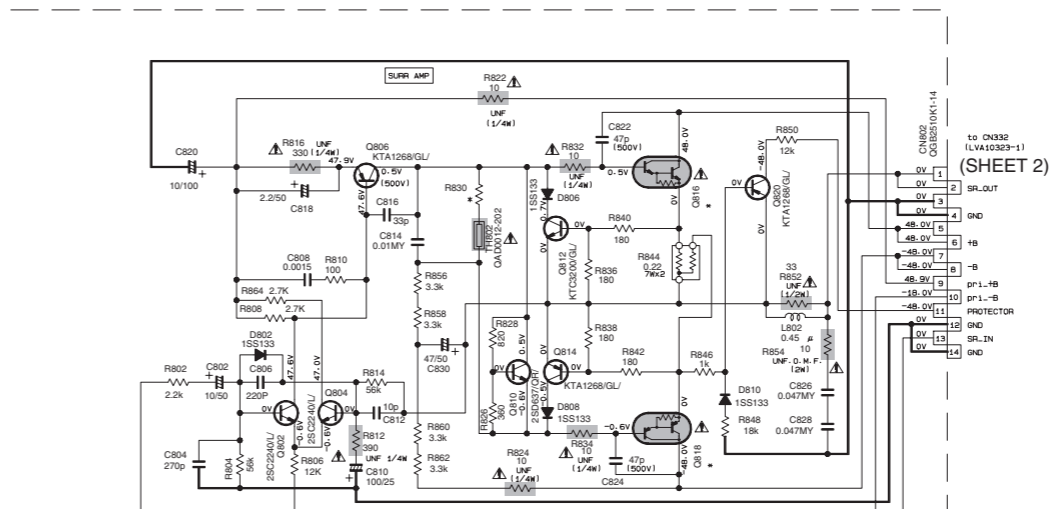
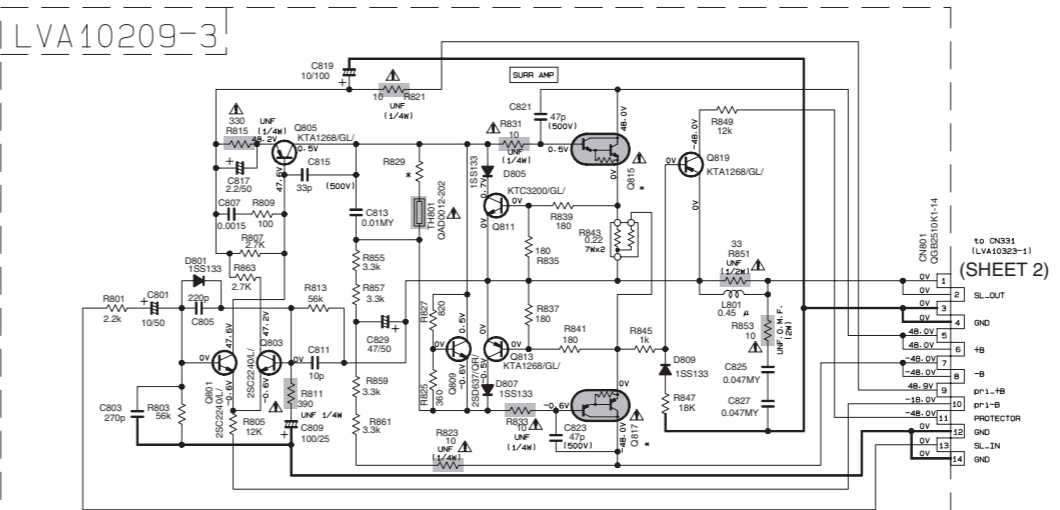
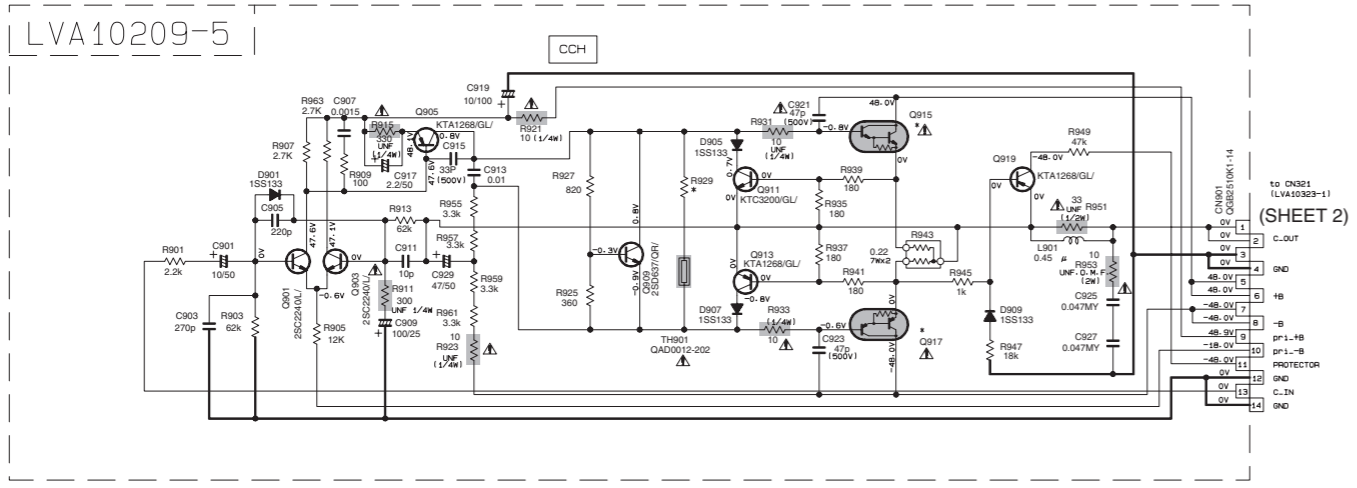
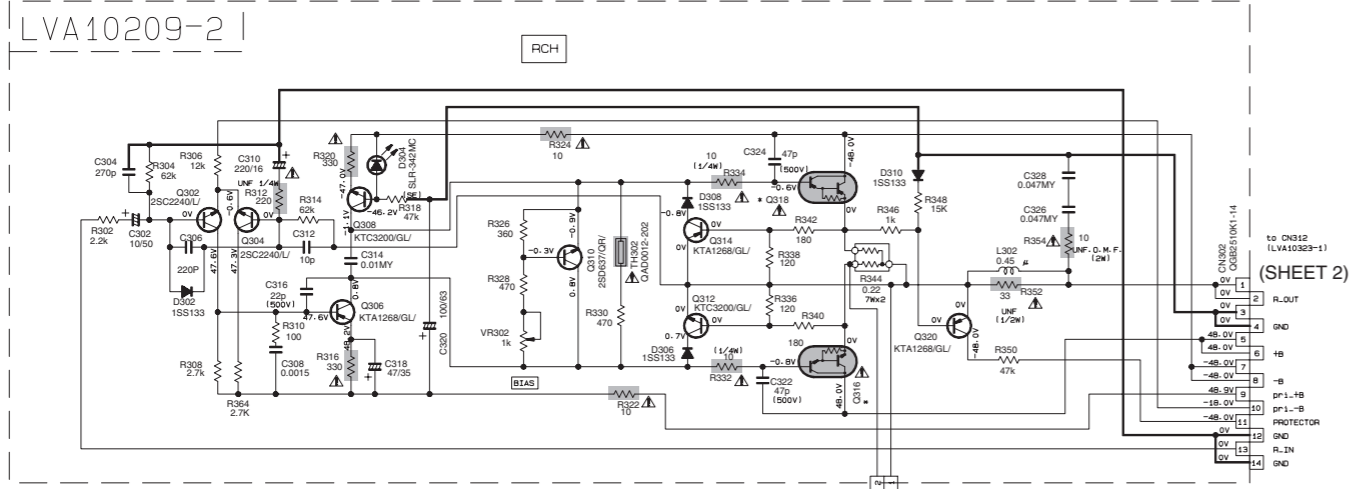
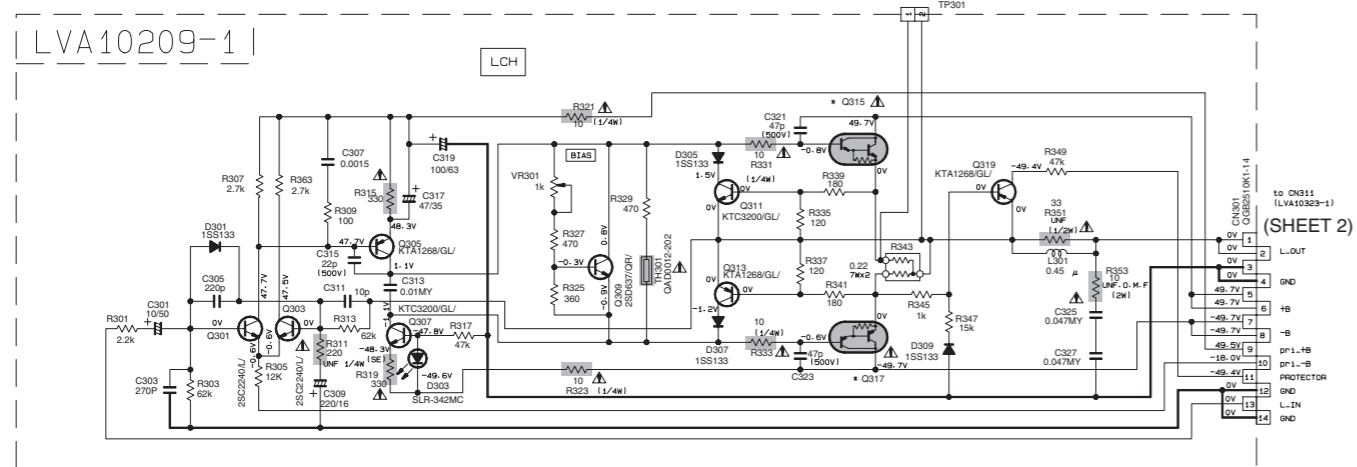


MARK LIST

MARK	Q/C	B/E/DN/EV	US/UT/AJ	A/P/A
C1359	NONE	USE	USE	
C1360	NONE	USE	USE	
C1361	NONE	USE	USE	
C1362	NONE	USE	USE	
C1363	NONE	USE	USE	
C1364	NONE	USE	USE	
C1365	NONE	USE	USE	
C1366	NONE	USE	USE	
C1367	NONE	USE	USE	
C1368	NONE	USE	USE	
C1369	NONE	USE	USE	
C1370	NONE	USE	USE	
C1371	NONE	USE	USE	
C1372	NONE	USE	USE	
C1373	NONE	USE	USE	
C1374	NONE	USE	USE	
C1375	NONE	USE	USE	
C1376	NONE	USE	USE	
C1377	NONE	USE	USE	
C1378	NONE	USE	USE	
R1379	NONE	USE	USE	
R1371	NONE	USE	USE	
R1372	NONE	USE	USE	
R1373	NONE	USE	USE	
R1374	NONE	USE	USE	
L1351	NONE	USE	USE	
L1352	NONE	USE	USE	
L1353	NONE	USE	USE	
L1354	NONE	USE	USE	
L1355	NONE	USE	USE	
B1005	USE	NONE	NONE	
B1006	USE	NONE	NONE	
B1007	USE	NONE	NONE	
B1008	USE	NONE	NONE	
B1009	USE	NONE	NONE	

Parts are safety assurance parts. When replacing those parts make sure to use the specified one.

■ Audio amplifier section

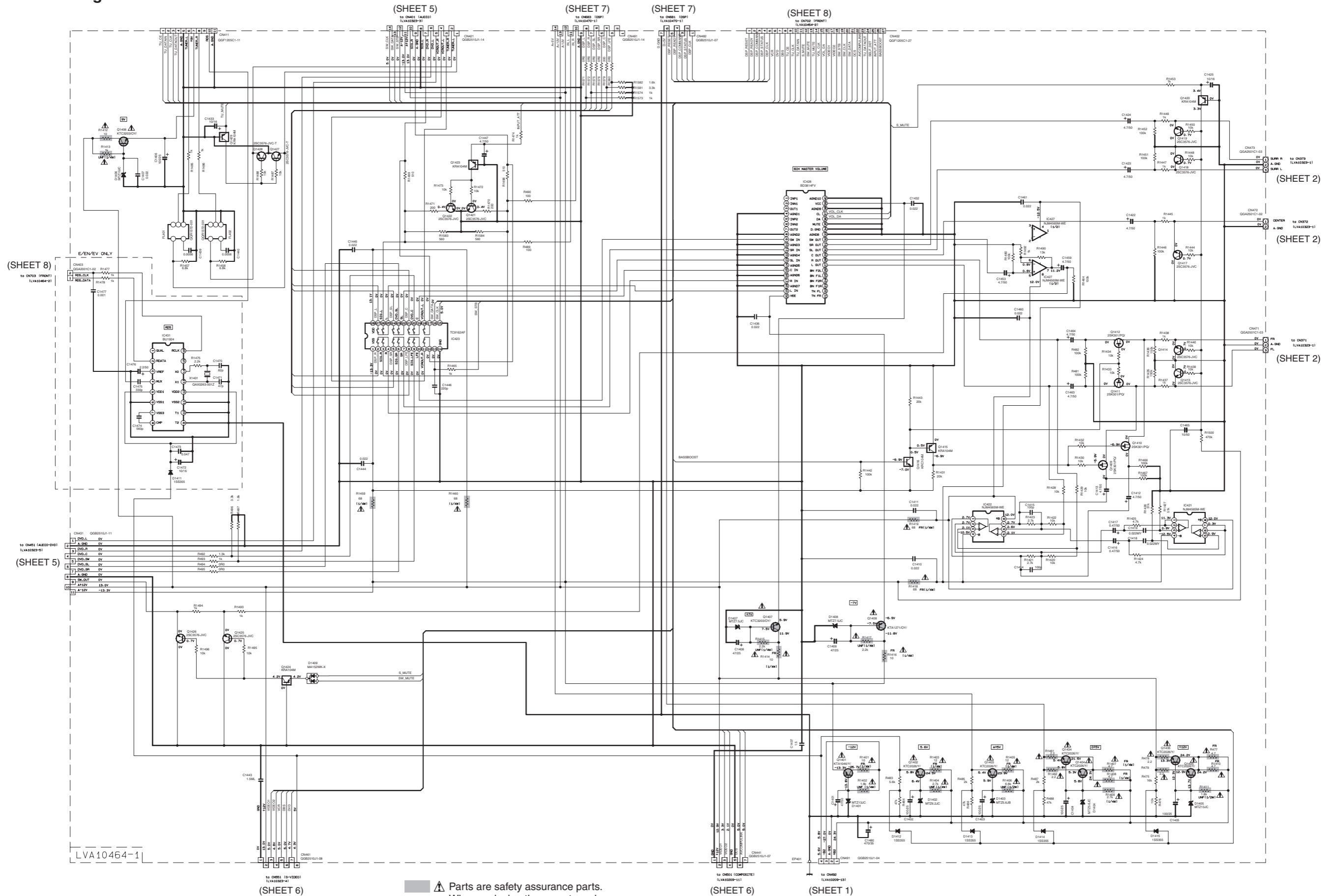


MARK LIST

	J/C	E/EN/EV	US/A
Q315- Q316	2SD2389/OPY/-F6	2SD2390/OPY/-F6	2SD2390/OPY/-F6
Q317- Q318	2SB1559/OPY/-F6	2SB1560/OPY/-F6	2SB1560/OPY/-F6
Q319			
R829- R830	470	470	220
R929			

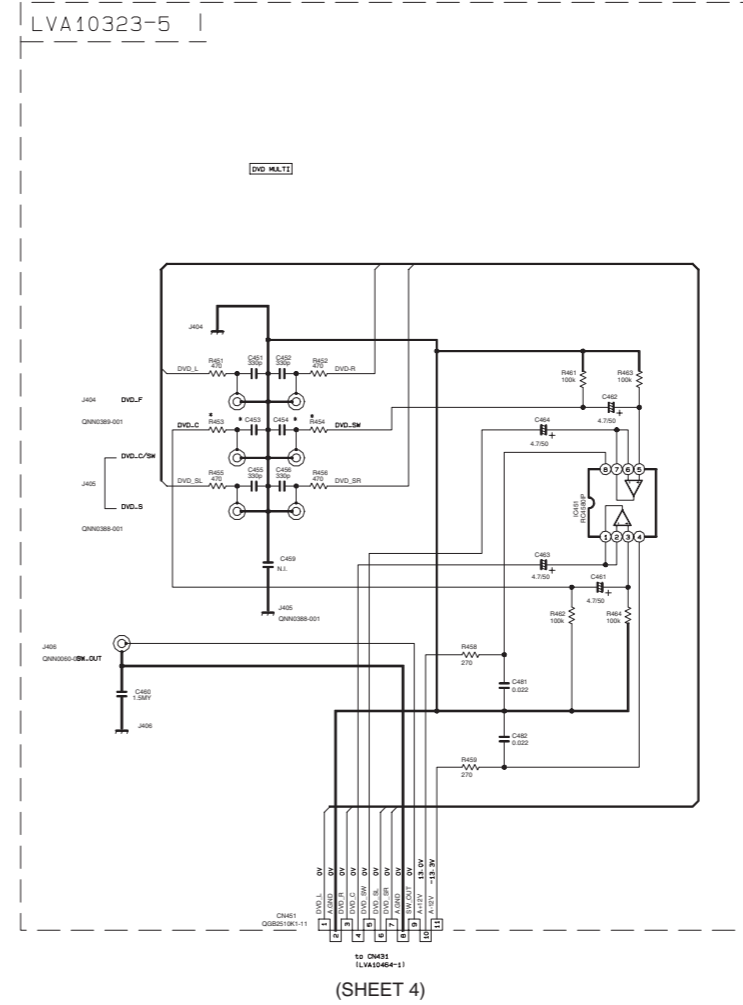
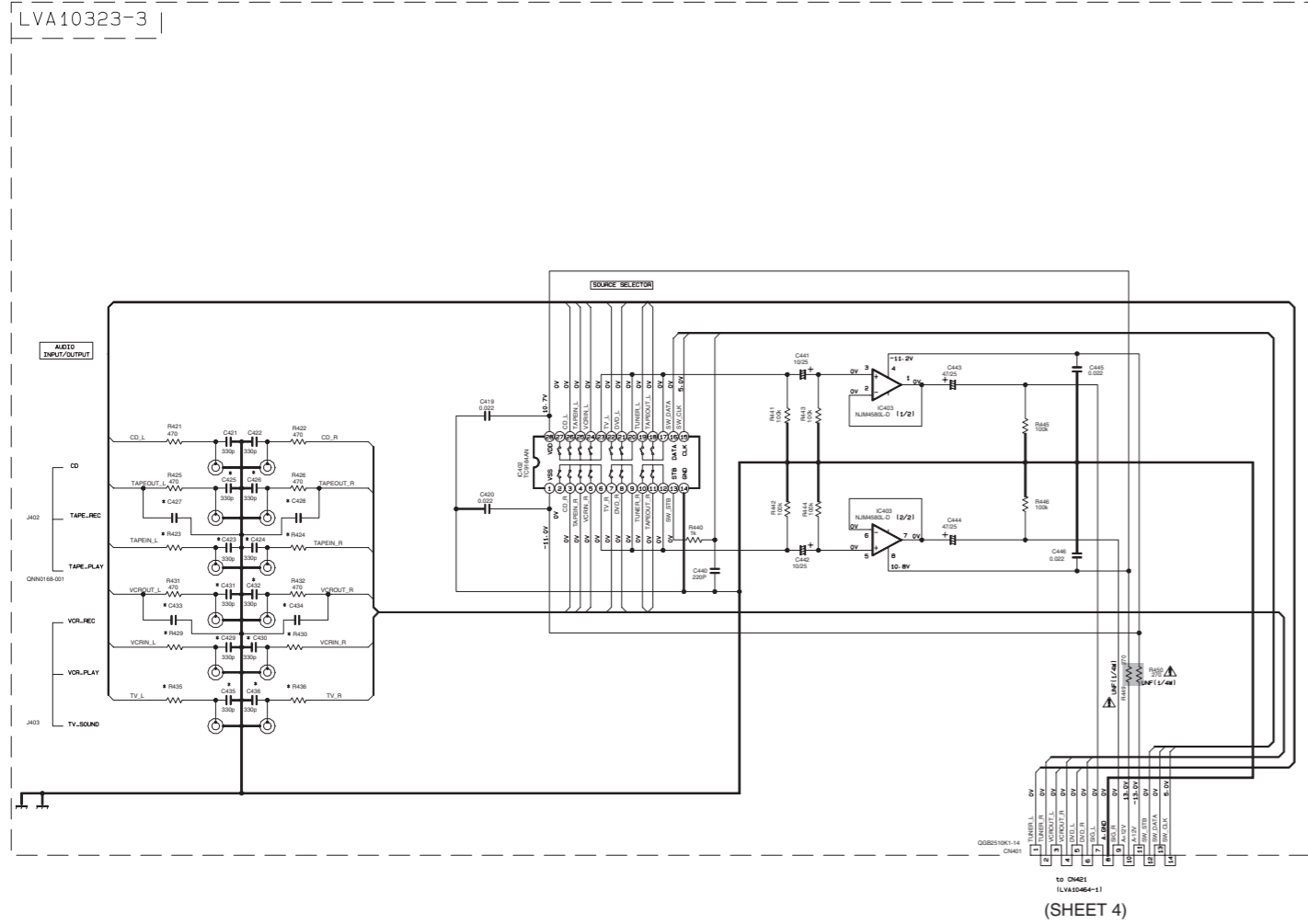
▲ Parts are safety assurance parts.  
When replacing those parts make sure to use the specified one.

Volume / Regulator / Source select section



⚠ Parts are safety assurance parts.  
When replacing those parts make  
sure to use the specified one.

■ Audio signal input terminal section

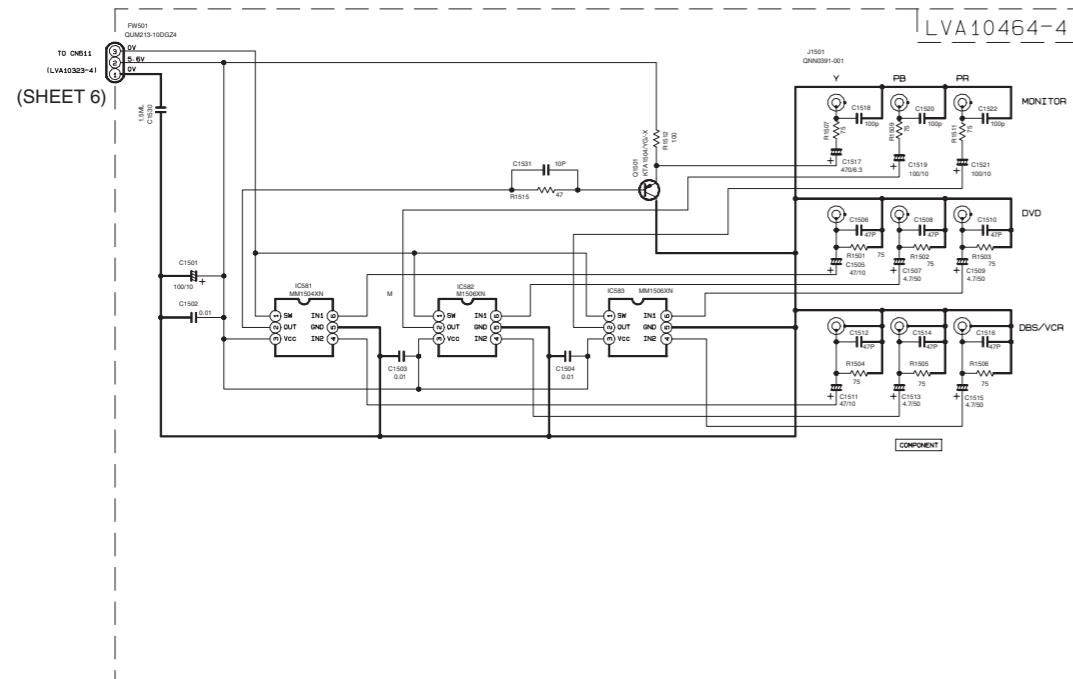
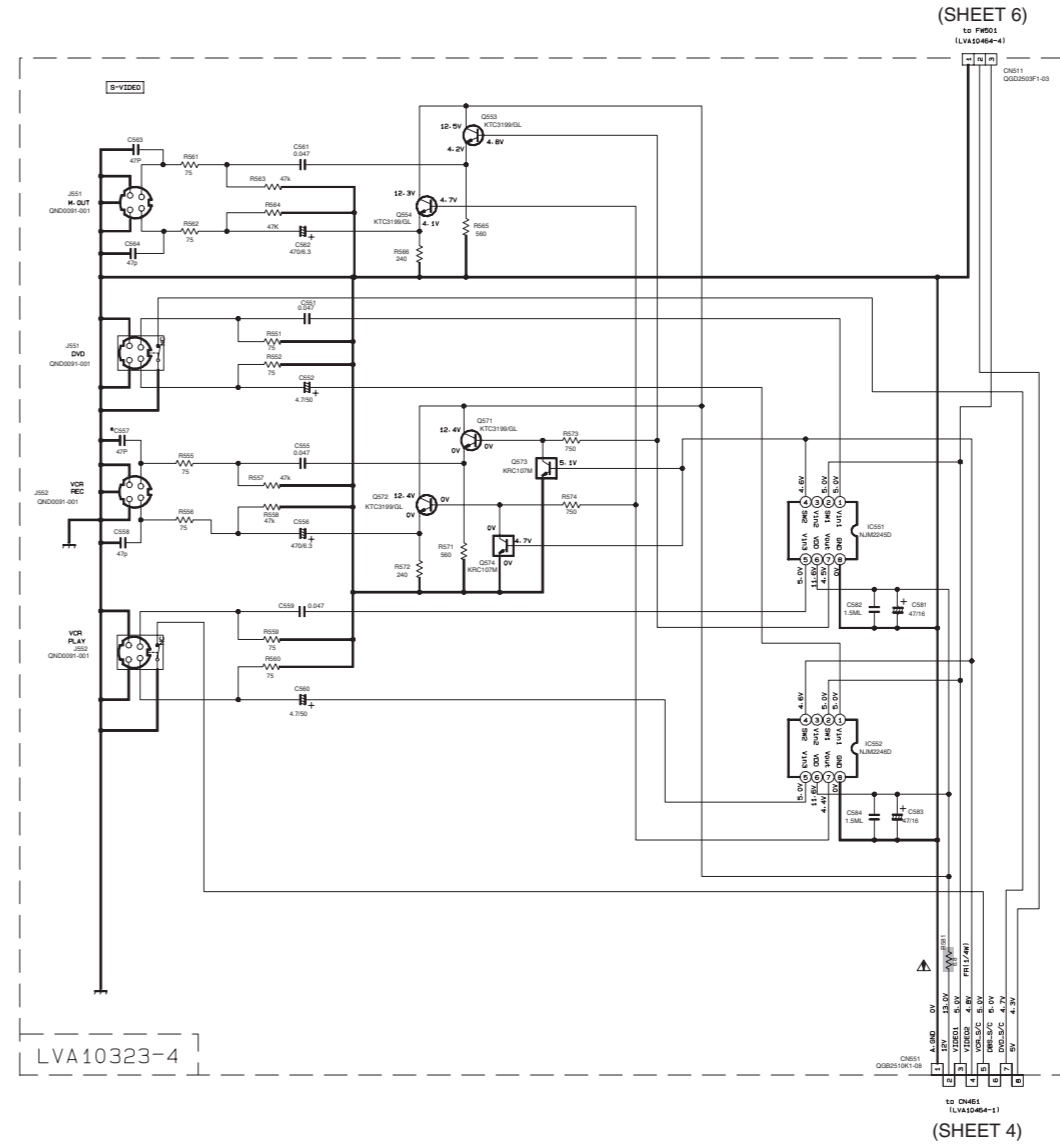
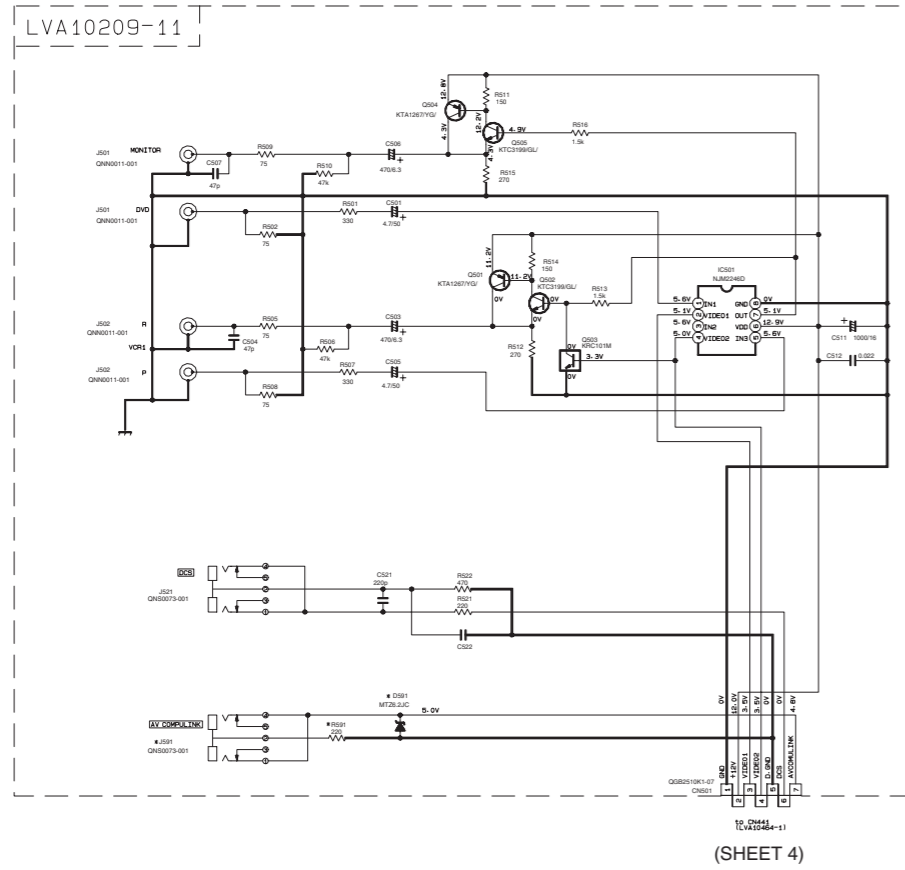


MARK LIST	μC	US/UT/UL/UP/VA	B/E/EN/EV
C423	330P	330P	NONE
C424	330P	330P	NONE
C425	330P	330P	NONE
C426	330P	330P	NONE
C427	200P	200P	680P
C428	330P	330P	680P
C429	330P	330P	NONE
C430	330P	330P	NONE
C431	330P	330P	NONE
C432	330P	330P	NONE
C433	200P	200P	680P
C434	200P	200P	680P
C435	330P	330P	NONE
C436	330P	330P	NONE
R423	47Ω	47Ω	2.2K
R424	47Ω	47Ω	2.2K
R429	47Ω	47Ω	1K
R430	47Ω	47Ω	1K
R435	47Ω	47Ω	1K
R436	47Ω	47Ω	1K
R437			
R438			
R439			
R440			
R441			
R442			
R443			
R444			
C453	330P	330P	560P
C454	330P	330P	560P

⚠ Parts are safety assurance parts.  
When replacing those parts make sure to use the specified one.



Video signal input terminal section

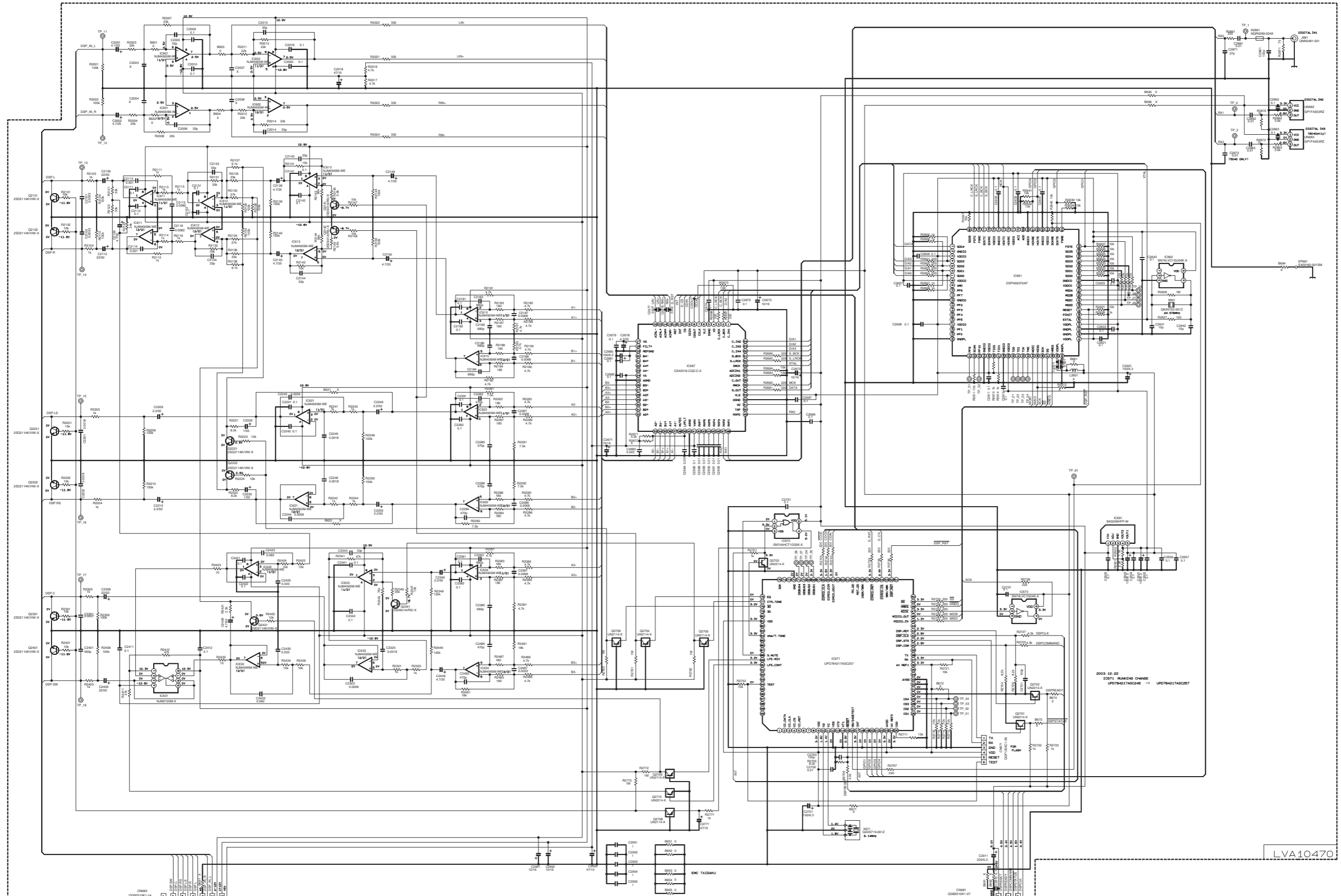


MARK LIST

MARK	J/C	US/UT/LL/UV/A	B/E/EN/EV
J5B1	USE	USE	NONE
J5B1	USE	USE	NONE
J5B1	USE	USE	NONE

Parts are safety assurance parts. When replacing those parts make sure to use the specified one.

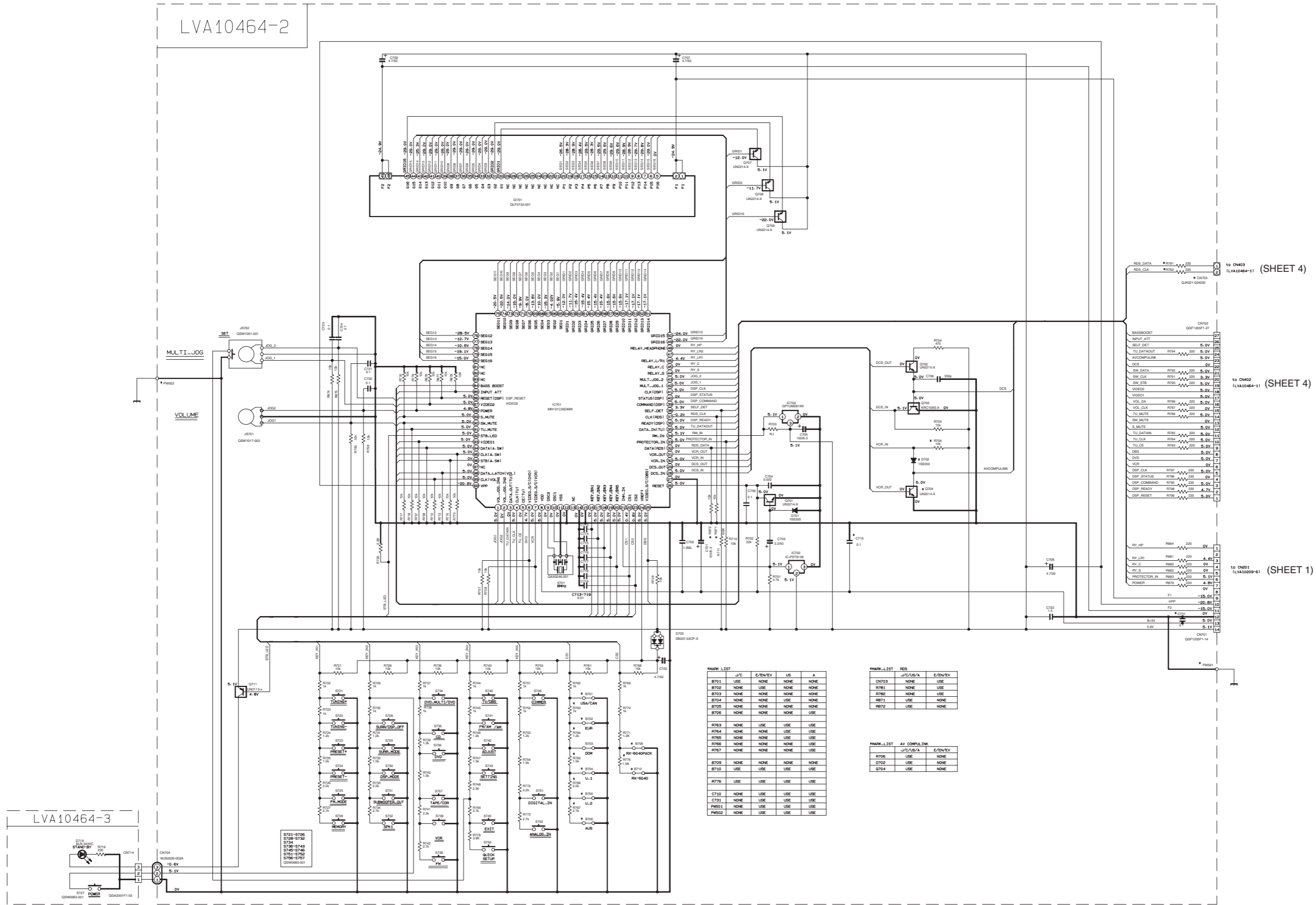
# Surround / Digital signal input terminal section



TO CH481 OF LVA10470-1 (SHEET 4)

TO CH482 OF LVA10470-1 (SHEET 4)

■ User control keys / System control / FL display section



MARK LIST

J/C	E/EN/VEY	US	A
R701	USE	NONE	NONE
R702	NONE	USE	NONE
R703	NONE	NONE	NONE
R704	NONE	NONE	USE
R705	NONE	NONE	NONE
R706	NONE	NONE	USE
R707	NONE	NONE	USE
R708	NONE	USE	USE
R709	NONE	NONE	USE
R710	NONE	NONE	USE
R711	NONE	NONE	USE
R712	NONE	NONE	USE
R713	NONE	NONE	USE
R714	NONE	NONE	USE
R715	NONE	NONE	USE
R716	NONE	NONE	USE
R717	NONE	NONE	USE
R718	NONE	NONE	USE
R719	NONE	NONE	USE
R720	NONE	NONE	USE
R721	NONE	NONE	USE
R722	NONE	NONE	USE
R723	NONE	NONE	USE
R724	NONE	NONE	USE
R725	NONE	NONE	USE
R726	NONE	NONE	USE
R727	NONE	NONE	USE
R728	NONE	NONE	USE
R729	NONE	NONE	USE
R730	NONE	NONE	USE
R731	NONE	NONE	USE
R732	NONE	NONE	USE
R733	NONE	NONE	USE
R734	NONE	NONE	USE
R735	NONE	NONE	USE
R736	NONE	NONE	USE
R737	NONE	NONE	USE
R738	NONE	NONE	USE
R739	NONE	NONE	USE
R740	NONE	NONE	USE
R741	NONE	NONE	USE
R742	NONE	NONE	USE
R743	NONE	NONE	USE
R744	NONE	NONE	USE
R745	NONE	NONE	USE
R746	NONE	NONE	USE
R747	NONE	NONE	USE
R748	NONE	NONE	USE
R749	NONE	NONE	USE
R750	NONE	NONE	USE
R751	NONE	NONE	USE
R752	NONE	NONE	USE
R753	NONE	NONE	USE
R754	NONE	NONE	USE
R755	NONE	NONE	USE
R756	NONE	NONE	USE
R757	NONE	NONE	USE
R758	NONE	NONE	USE
R759	NONE	NONE	USE
R760	NONE	NONE	USE
R761	NONE	NONE	USE
R762	NONE	NONE	USE
R763	NONE	NONE	USE
R764	NONE	NONE	USE
R765	NONE	NONE	USE
R766	NONE	NONE	USE
R767	NONE	NONE	USE
R768	NONE	NONE	USE
R769	NONE	NONE	USE
R770	NONE	NONE	USE
R771	NONE	NONE	USE
R772	NONE	NONE	USE
R773	NONE	NONE	USE
R774	NONE	NONE	USE
R775	NONE	NONE	USE
R776	NONE	NONE	USE
R777	NONE	NONE	USE
R778	NONE	NONE	USE
R779	NONE	NONE	USE
R780	NONE	NONE	USE
R781	NONE	NONE	USE
R782	NONE	NONE	USE
R783	NONE	NONE	USE
R784	NONE	NONE	USE
R785	NONE	NONE	USE
R786	NONE	NONE	USE
R787	NONE	NONE	USE
R788	NONE	NONE	USE
R789	NONE	NONE	USE
R790	NONE	NONE	USE
R791	NONE	NONE	USE
R792	NONE	NONE	USE
R793	NONE	NONE	USE
R794	NONE	NONE	USE
R795	NONE	NONE	USE
R796	NONE	NONE	USE
R797	NONE	NONE	USE
R798	NONE	NONE	USE
R799	NONE	NONE	USE
R800	NONE	NONE	USE

MARK LIST RES

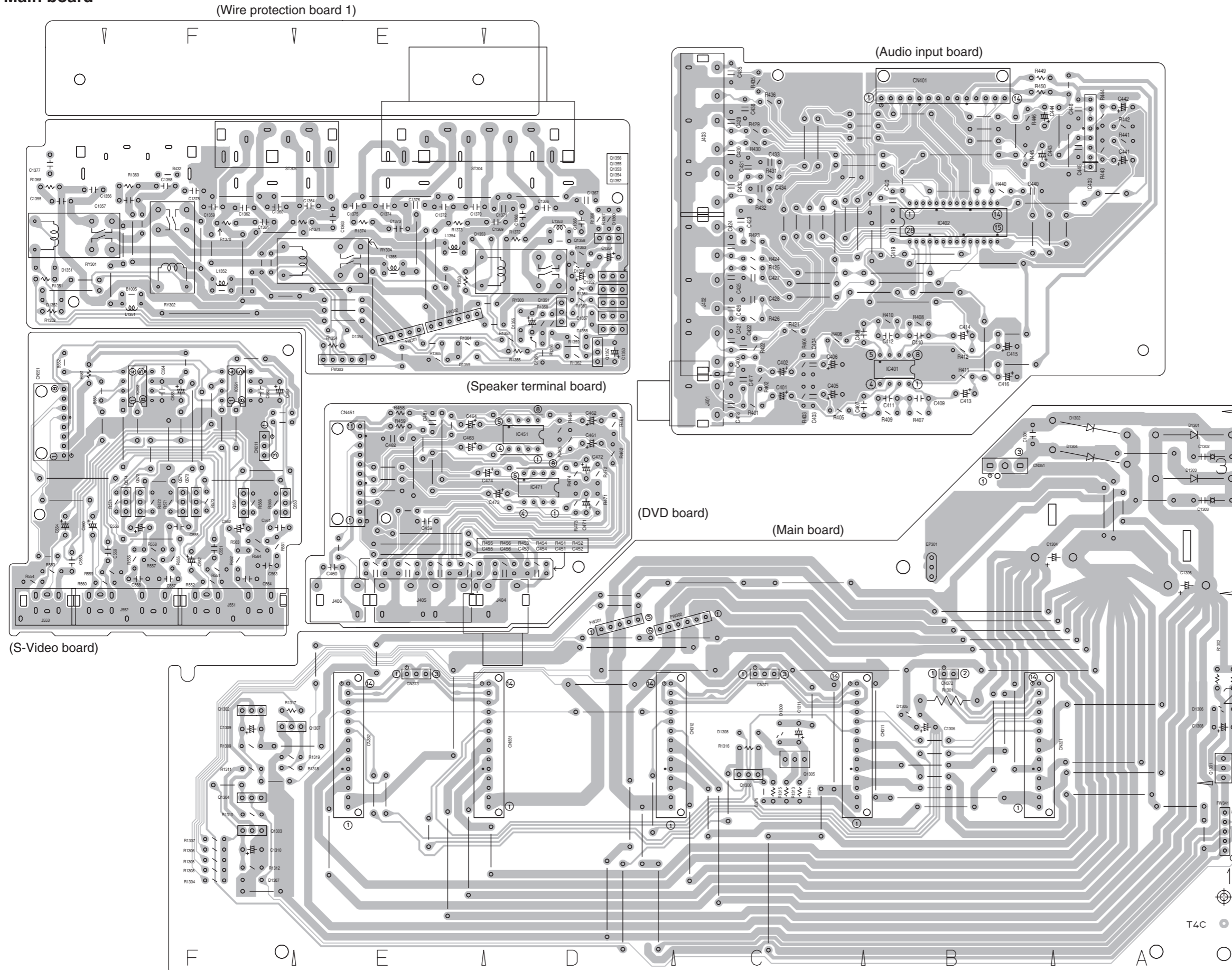
J/C/US/A	E/EN/VEY
CN703	NONE USE
R781	NONE USE
R782	NONE USE
R783	NONE USE
R784	NONE USE
R785	NONE USE
R786	NONE USE
R787	NONE USE
R788	NONE USE
R789	NONE USE
R790	NONE USE
R791	NONE USE
R792	NONE USE
R793	NONE USE
R794	NONE USE
R795	NONE USE
R796	NONE USE
R797	NONE USE
R798	NONE USE
R799	NONE USE
R800	NONE USE

MARK LIST AV COMPLINK

J/C/US/A	E/EN/VEY
R705	USE NONE
D709	USE NONE
G704	USE NONE

# Printed circuit boards

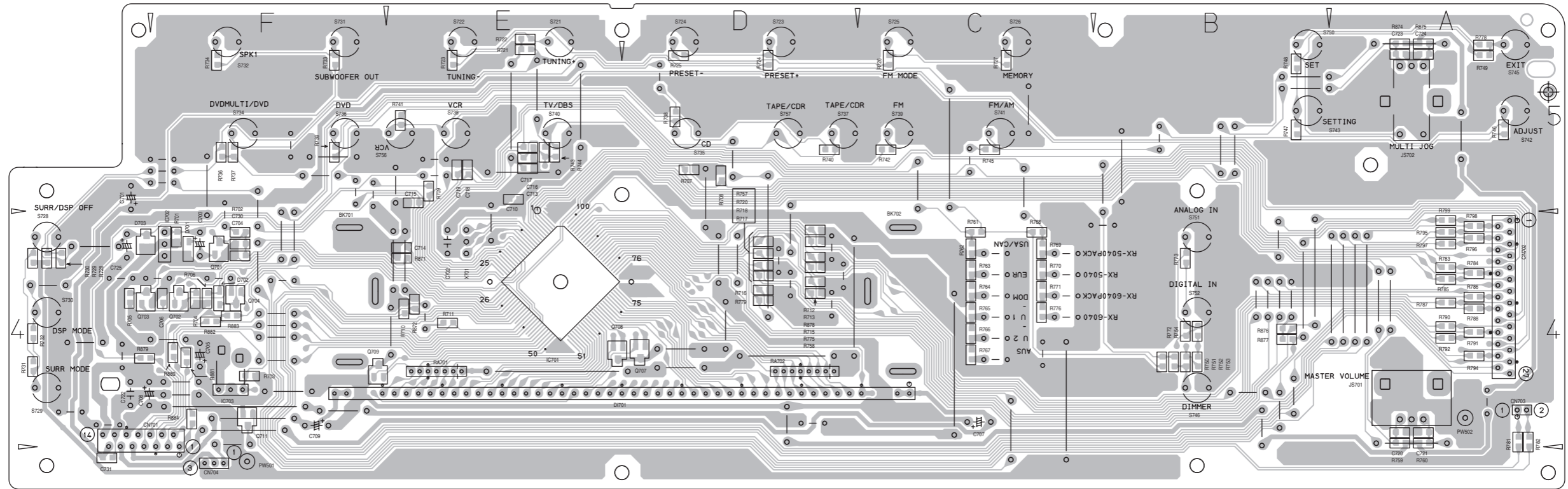
## ■ Main board



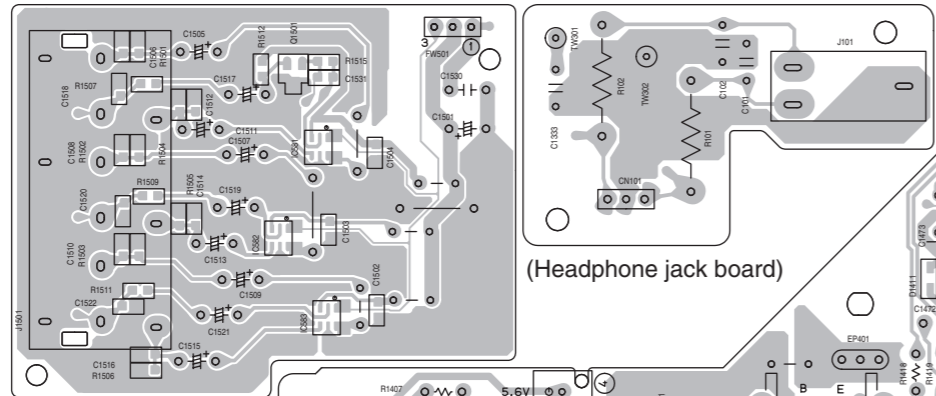


■ Front board

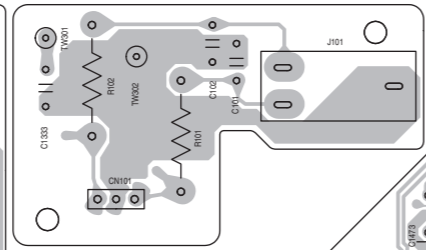
(System control board)



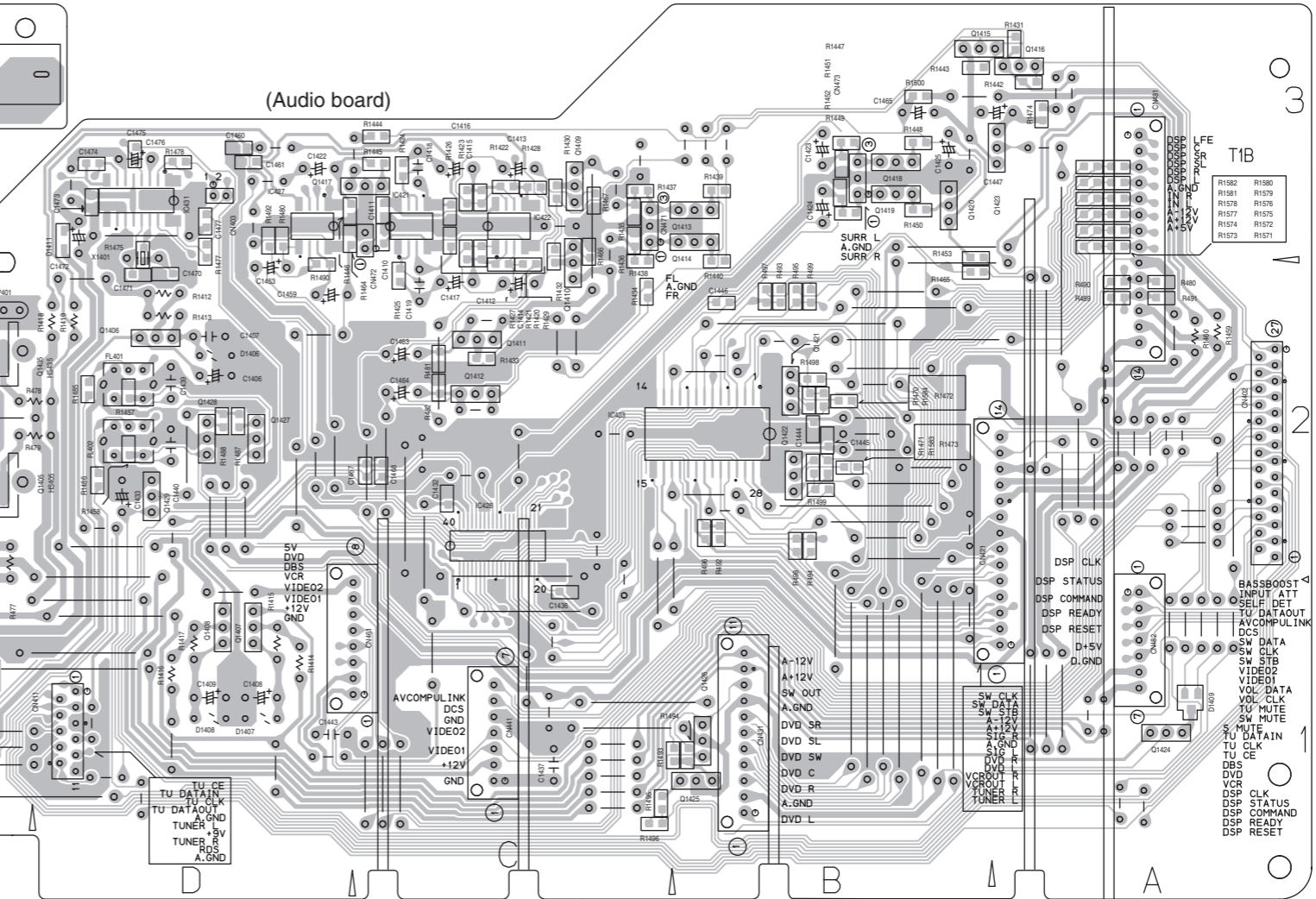
(Component board)



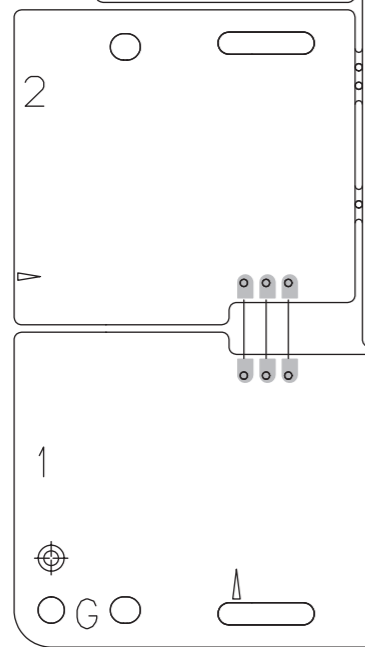
(Headphone jack board)



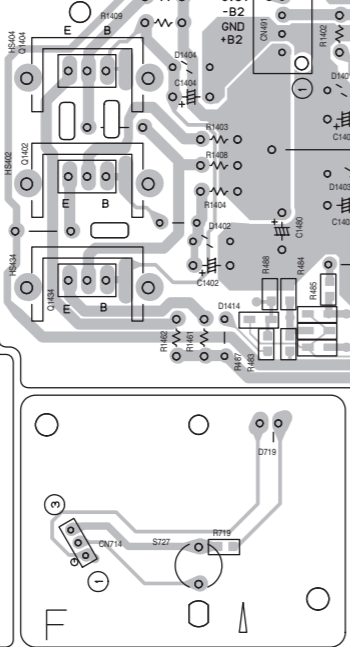
(Audio board)



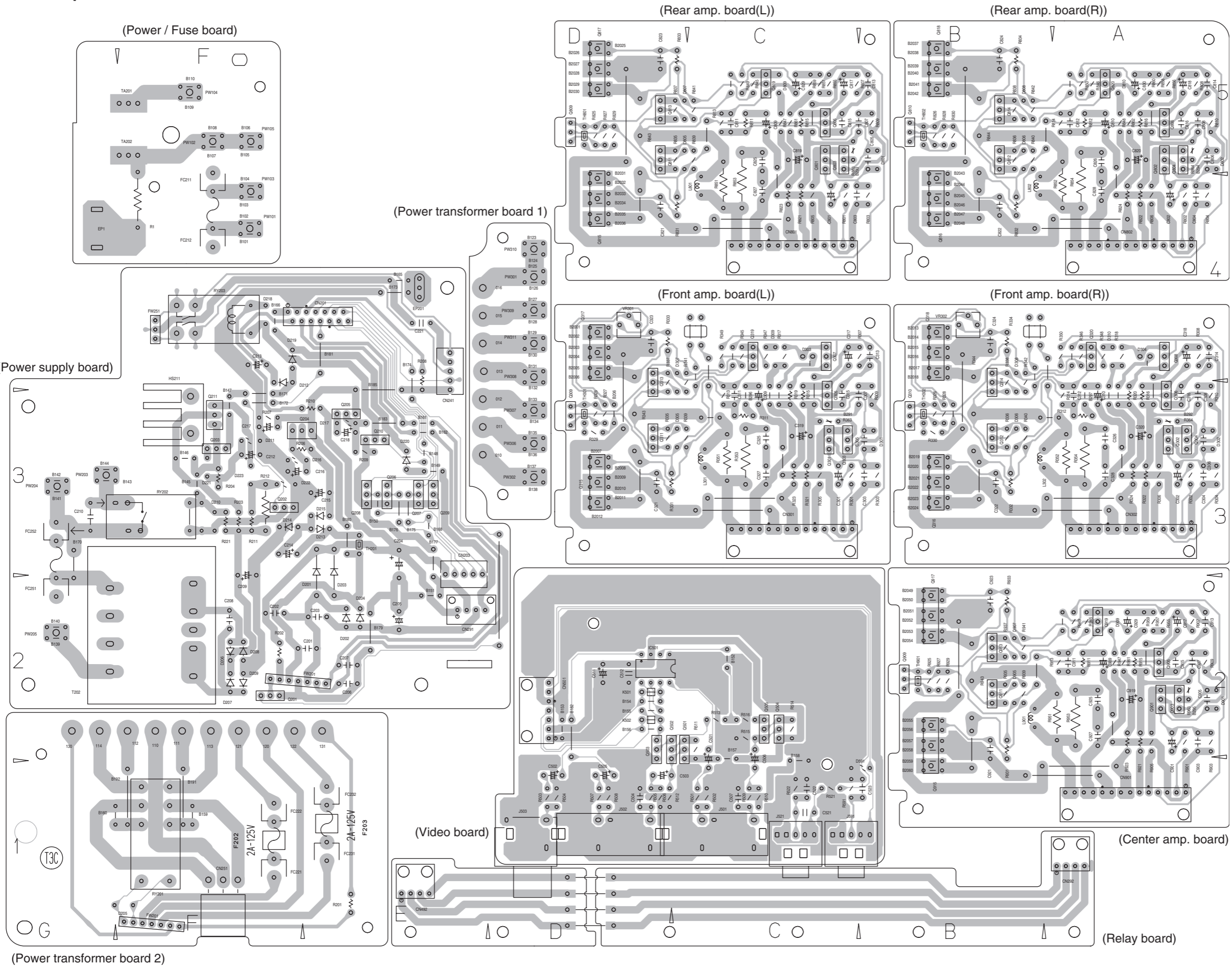
(Wire protection board 2)



(Power switch board)



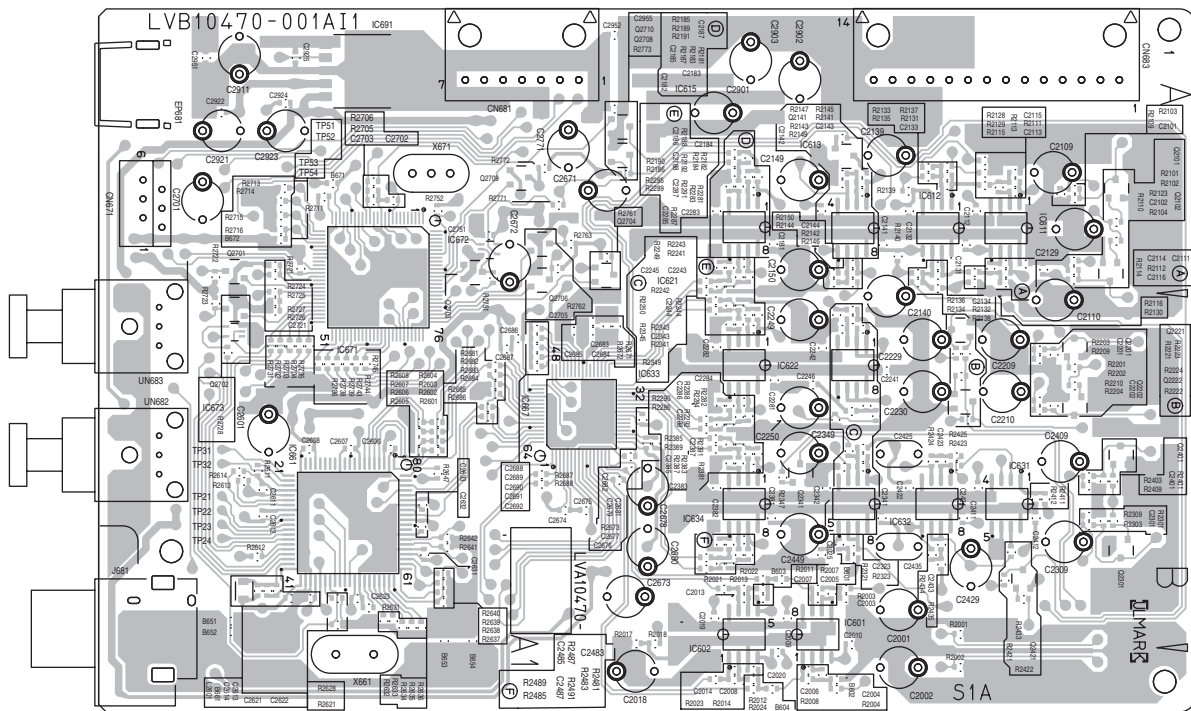
■ Power amp. board



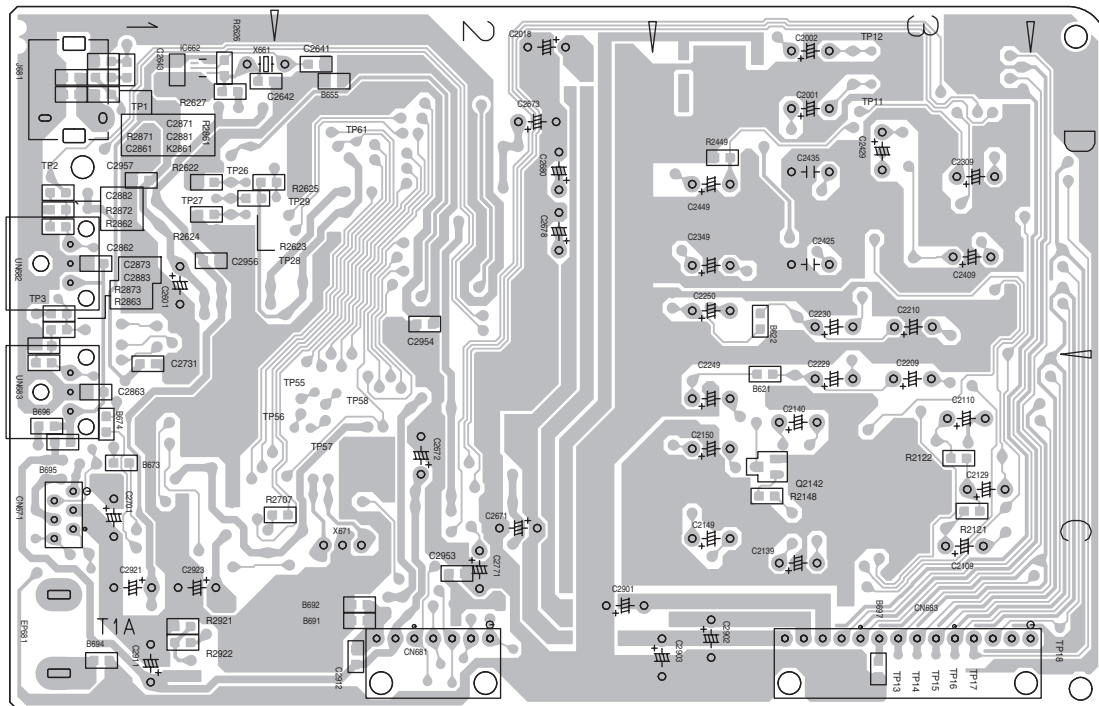


■ DSP board

Forward side



Reverse side



**JVC**

**VICTOR COMPANY OF JAPAN, LIMITED**

AV & MULTIMEDIA COMPANY AUDIO/VIDEO SYSTEMS CATEGORY 10-1, 1chome, Ohwatari-machi, Maebashi-city, 371-8543, Japan

(No.MB167SCH)



Printed in Japan  
WPC